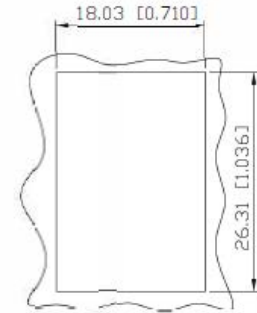
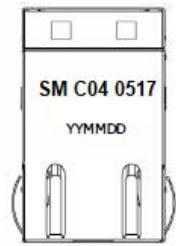
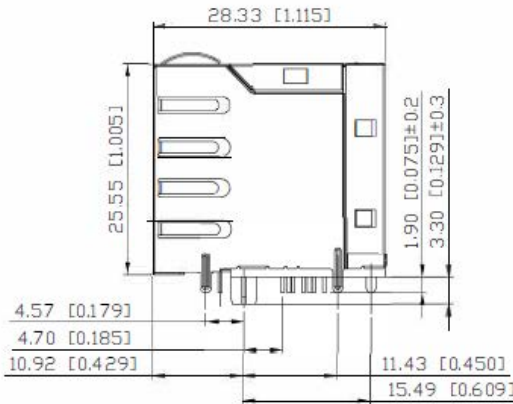
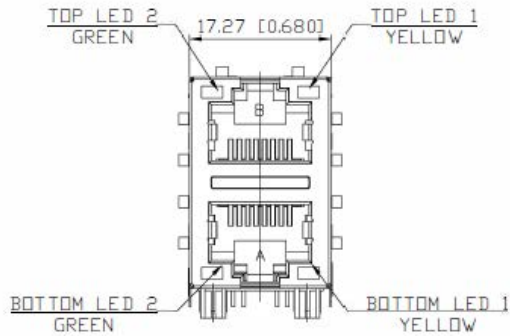


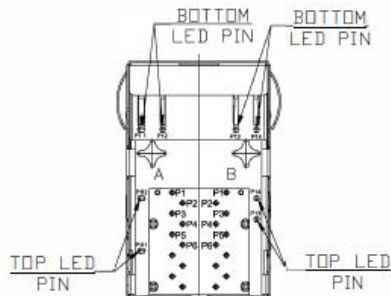
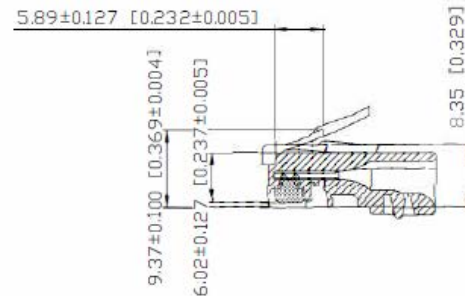
1. MECHANICAL DIMENSIONS :



RECOMMENDED
PANEL CUTOUT DIMENSION

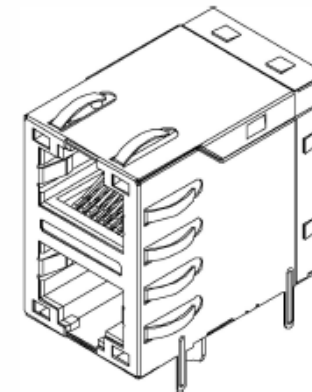


RECOMMENDED PLUG DIMENSION:



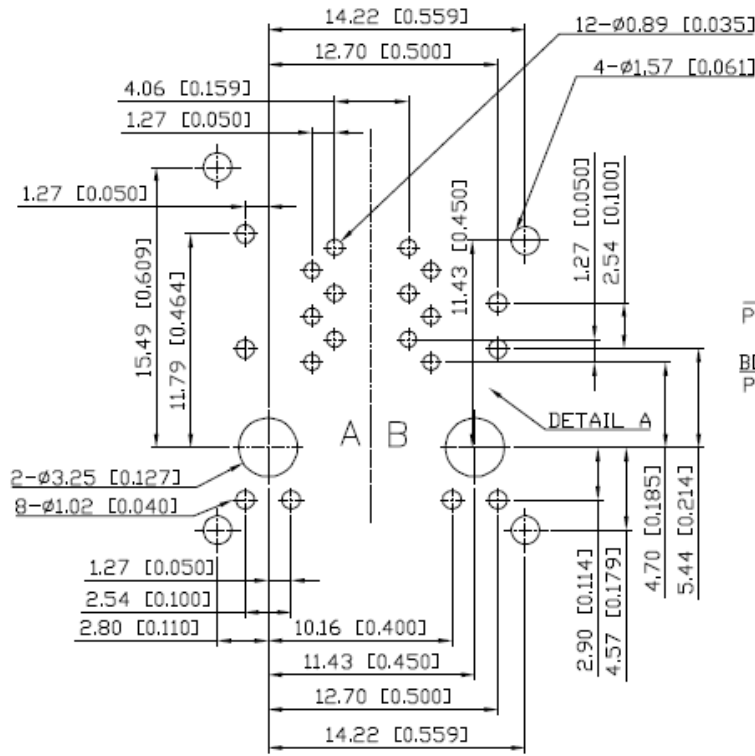
NOTES:

1. MATERIAL:
HOUSING: HIGH THERMOPLASTIC, UL94V-0, BLACK
CONTACTS: PHOS-BRONZE,
3u" GOLD PLATING ON CONTACT AREA,
NICKEL UNDERPLATING OVERALL
SHIELD: T=0.2mm BRASS, NICKEL PLATING
2. OPERATING TEMPERATURE: -40°C~+85°C
3. MATING FORCE: 4 POUNDS MAX.
UNMATING FORCE: 4 POUNDS MAX.
4. DURABILITY: 750 MATING CYCLED MIN.
5. CAVITY CONFORMS TO FCC RULES
AND REGULATIONS PART 68, SUBPART F.
6. UNSPECIFIED TOLERANCE: .XX ±0.25[0.010]
.X ±0.30[0.012]

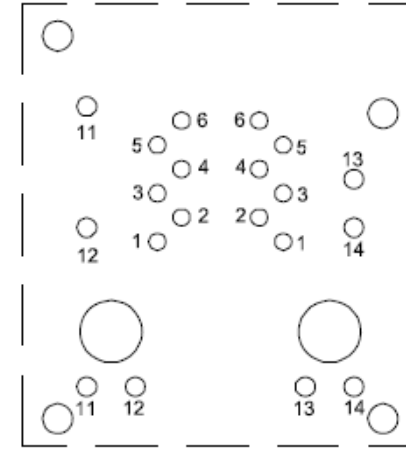
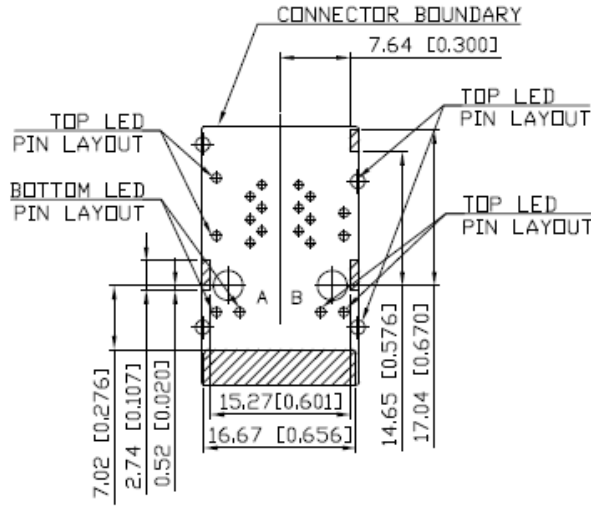


TOLERANCE		
SCALE	UNIT mm	
DRAW Walter	DATE 6.5.2021	TITLE
CHECK Elis	REV	SM C04 0517 88 2x1 LED Trans
		DESCRIPTION
		RJ45 2x1 10/100 Tranformer LED, SHIELDED

2. PCB LAYOUT :





SUGGESTED PCB LAYOUT
(TOP VIEW) SCALE 2:1
DIMENSIONAL TOLERANCE: .XX ±0.08[0.003]

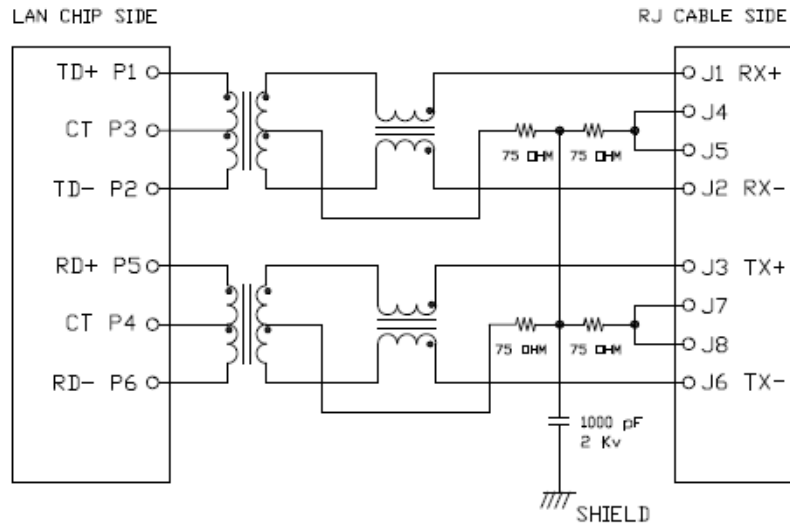


DETAIL A

P#	DEFINITION
P1	TD+
P2	TD-
P3	CT
P4	CT
P5	RD+
P6	RD-
P11	LEFT GR+
P12	LEFT GR-
P13	RIGHT YE+
P14	RIGHT YE-

TOLERANCE		
SCALE	UNIT mm	
DRAW Walter	DATE 6.5.2021	TITLE
CHECK Elis	REV	SM C04 0517 88 2x1 LED Trans
		DESCRIPTION
		RJ45 2x1 10/100 Tranformer LED, SHIELDED

3. SCHEMATIC :

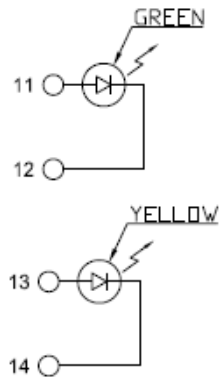




4. ELECTRICAL CHARACTERISTICS :

TEST NOTES ($25 \pm 5^\circ\text{C}$)

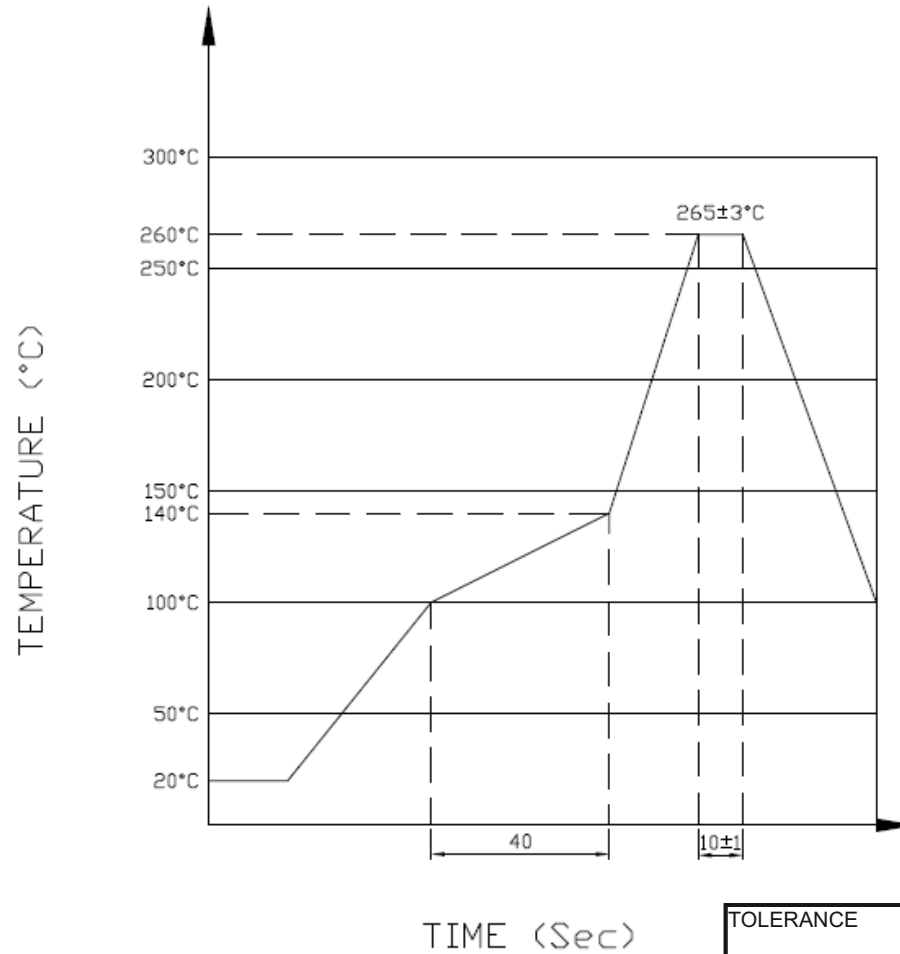
1. TR_i
INPUT TO OUTPUT = $1 \pm 3\%$
2. QCL_i (100KHz, 100mV, 8mA, DC Bias)
350uH MINIMUM
3. DCR_i
EVERY RJ PAIR = 1.2Ω MAXIMUM
4. INSERTION LOSS:
-1.0dB MAXIMUM AT 0.3MHz TO 100MHz
5. RETURN LOSS:
-20dB MINIMUM AT 1MHz TO 30MHz
-15dB MINIMUM AT 30MHz TO 60MHz
-10dB MINIMUM AT 60MHz TO 80MHz
6. CROSS TALK:
-30dB MINIMUM AT 1MHz TO 100MHz
7. CM TO CM MODE REJECTION:
-30dB MINIMUM AT 1MHz TO 100MHz
8. HIPOT:
INPUT (RJ SIDE) TO SHIELDING:
2250 VDC/60SEC

COLOR	VF (V) @20mA		IV (mcd) @20mA	IF (mA)	PEAK WAVE LENGTH λ_p (nm) @20mA
	TYP	MAX	TYP	TYP	TYP
GREEN	2.2	2.6	10	20	570
YELLOW	2.2	2.6	15	20	588




TOLERANCE		
SCALE	UNIT mm	
DRAW Walter	DATE 6.5.2021	TITLE
CHECK Elis	REV	SM C04 0517 88 2x1 LED Trans
		DESCRIPTION
		RJ45 2x1 10/100 Tranformer LED, SHIELDED

5. PROFILE OF WAVE SOLDER :



The measuring point for the specified temperature shall be on the soldered part of the lead

TOLERANCE		SCHMID-M
SCALE	UNIT mm	
DRAW Walter	DATE 6.5.2021	TITLE
CHECK Elis	REV	SM C04 0517 88 2x1 LED Trans
		DESCRIPTION
		RJ45 2x1 10/100 Tranformer LED, SHIELDED